

Electrical Load Cells – Model 602



- Capacities: 7,5kg to 75kg
- Off-center load cell
- For smaller platform scales
- Calibratable acc. to OIML R 60
- Standard, class C3 or C4
- Stainless steel
- Highest accuracy
- Sensitivity: 2mV/V
- TEDS module available ¹⁾

The electrical off-center load cells of the model series 602 are typically used for the construction of platform scales. The load cells that are made of stainless steel are ex-

cellently suitable for applications under rough, industrial conditions. They are available in a standard version as well as in a calibratable version according to OIML

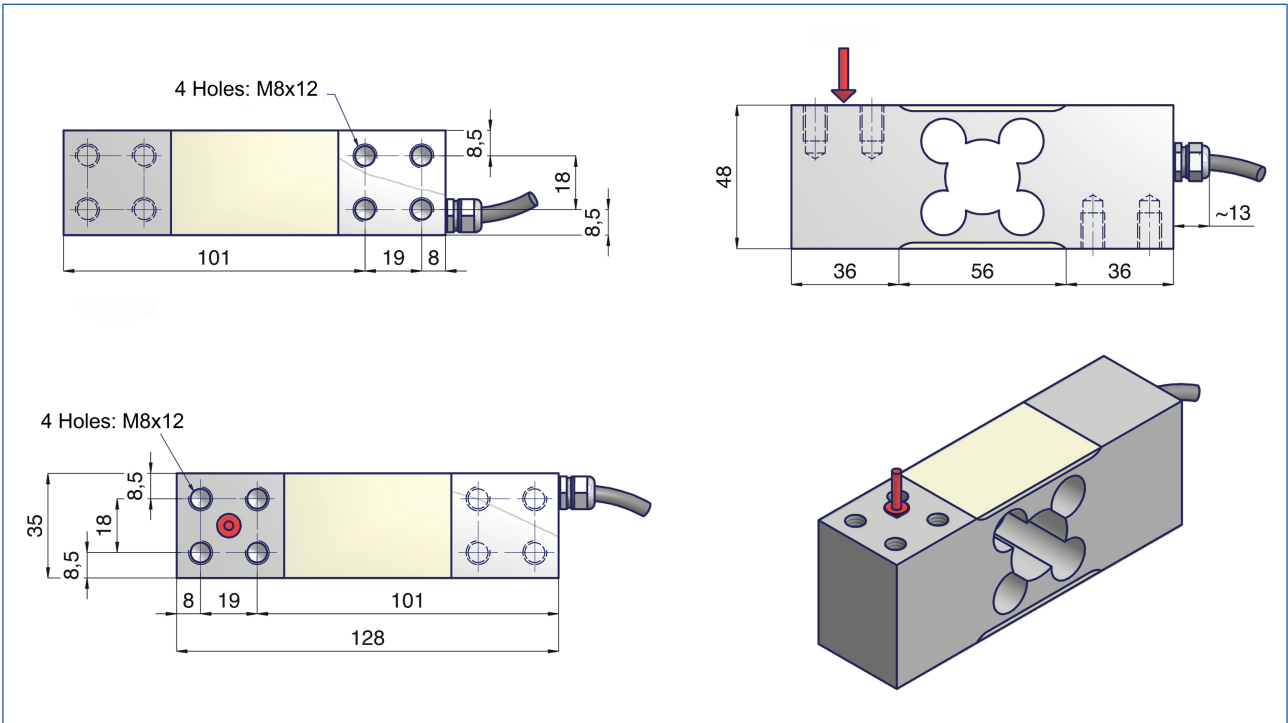
R 60, class C3. On demand you receive model 602 with a TEDS module inside the plug.

Model 602				
>> Technical data according to OIML R 60				
	Symbol	Unit	Standard	C3
Number of scale intervals	N _{LC}	d	-	3.000
Minimum scale division	V _{min}	%	-	14.000
Zero signal when removed	S ₀	mV/V	0,02	
Nominal rated sensitivity	C _n	mV/V	2	2
Sensitivity tolerance	T _n	% (≤ ±)	0,1	
Combined error	F _{comb}	% (≤ ±)	0,025	0,023
Non linearity	d _{lin}	% (≤ ±)	0,0175	0,0161
Nominal temperature range	B _{T, nom}	°C	-10...+40	
Operating temperature range	B _{T, G}	°C	-15...+60	
Storage temperature range	B _{T, S}	°C	-20...+70	
Creep after 30 min	K _{0,5}	% (≤ ±)	0,03	0,024
Temperature coefficient of sensitivity per 10K	TK _C	% (≤ ±)	0,005	0,0026
Temperature coefficient of zero signal per 10K	TK ₀	% (≤ ±)	0,02	0,018
Input resistance	R _e	Ω	400 ± 25	
Output resistance	R _a	Ω	350 ± 2	
Insulation resistance	R _{is}	GΩ	> 5	
Maximum excitation voltage	U _{max}	V	15	
Reference excitation voltage	U _{ref}	V	10	
Nominal range of excitation voltage	B _{U, nom}	V	5...10	
Limit load	E _L	%	≤ 150	
Breaking load	E _d	%	≥ 300	
Max. permissible side load	L _S	%	-	
Degree of protection according to DIN 60529				IP67

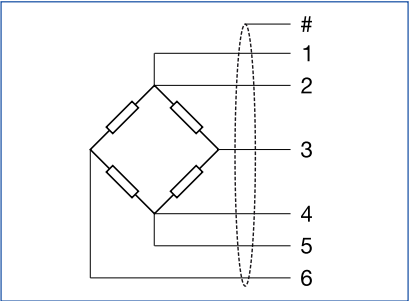
¹⁾ TEDS = Transducer Electronic Data Sheet acc. to IEEE 1451.4

For class C3: Only stated if differing from standard specification

Electrical Load Cells – Model 602



Capacities			
Model 602			
	60kg	150kg	250kg
	100kg	200kg	300kg
Available versions	Standard	Standard	Standard
	C3	C3	C3



Connection Drawing		
1	white	Sense +
2	red	Excitation +
3	yellow	Output +
4	blue	Excitation -
5	black	Sense -
6	green	Output -
#		Shield