

Electrical Load Cells – Model 630



- Capacities: 200kg to 15t
- S-type load cell for tension
- Calibratable acc. to OIML R 60
- Standard and class C3
- Stainless steel
- Highest accuracy
- Sensitivity: 2mV/V
- TEDS module available ¹⁾

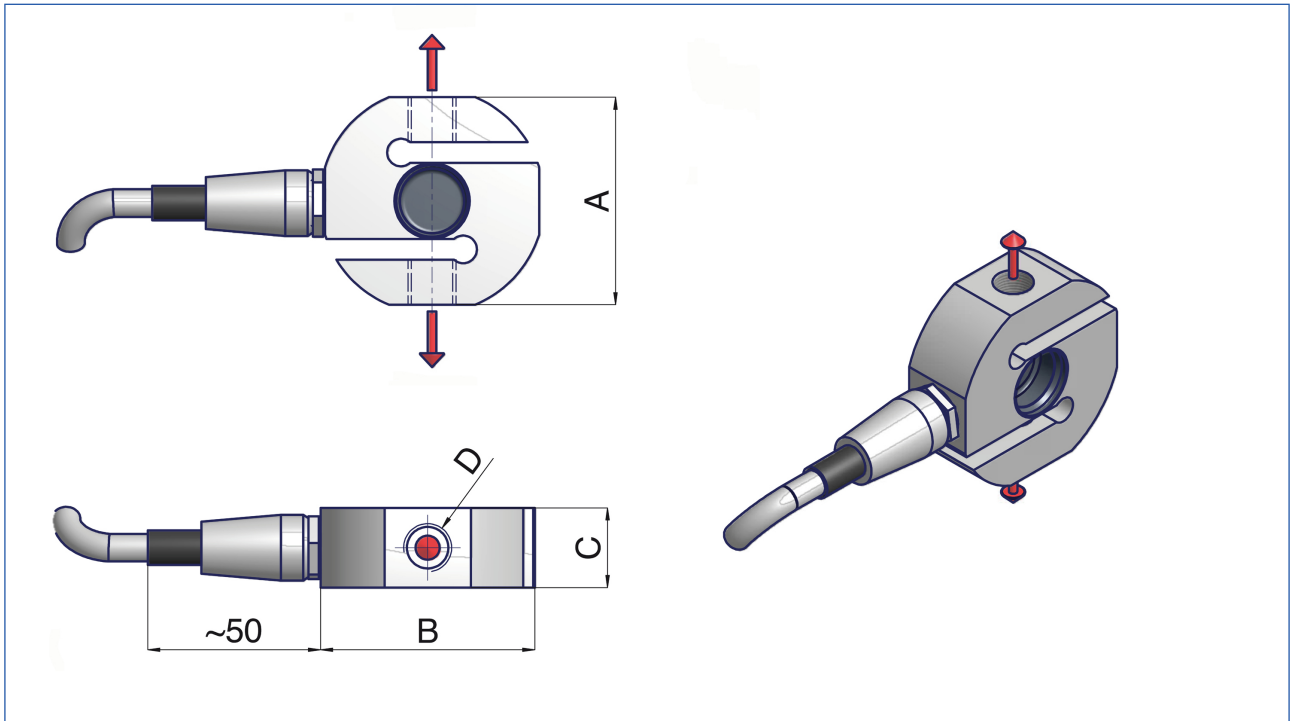
The S-type load cells of the model series 630 are under rough conditions. A TEDS module inside the plug is provided on construction of industrial weighing systems. The model 630 is available in the standard version and in the calibratable version according to OIML R 60, class C3.

Model 630				
>> Technical data according to OIML R 60				
	Symbol	Unit	Standard	C3
Number of scale intervals	N _{LC}	d	-	3000
Minimum scale division	V _{min}	%	-	15.000
Zero signal when removed	S ₀	mV/V	0,02	
Nominal rated sensitivity	C _n	mV/V	2	
Sensitivity tolerance	T _n	% (≤ ±)	0,1	
Combined error	F _{comb}	% (≤ ±)	0,025	0,022
Non linearity	d _{lin}	% (≤ ±)	0,0175	0,0154
Nominal temperature range	B _{T, nom}	°C	-10...+40	
Operating temperature range	B _{T, G}	°C	-15...+60	
Storage temperature range	B _{T, S}	°C	-20...+70	
Creep after 30 min	K _{0,5}	% (≤ ±)	0,030	0,024
Temperature coefficient of sensitivity per 10K	TK _c	% (≤ ±)	0,008	0,0025
Temperature coefficient of zero signal per 10K	TK ₀	% (≤ ±)	0,02	0,018
Input resistance	R _e	Ω	400 ± 25	
Output resistance	R _a	Ω	350 ± 2	
Insulation resistance	R _{is}	GΩ	> 5	
Maximum excitation voltage	U _{max}	V	15	
Reference excitation voltage	U _{ref}	V	10	
Nominal range of excitation voltage	B _{U, nom}	V	5...10	
Limit load	E _L	%	≤ 150	
Breaking load	E _d	%	≥ 300	
Max. permissible side load	L _S	%	-	
Degree of protection according to DIN 60529			IP67	

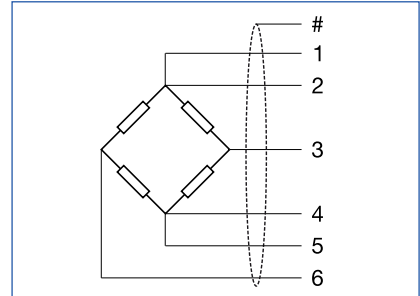
¹⁾ TEDS = Transducer Electronic Data Sheet acc. to IEEE 1451.4

For class C3: Only stated if differing from standard specification

Electrical Load Cells – Modell 630



Dimensions in mm					
Model 630					
Capacities	200kg	500kg	3.000kg	10.000kg	15.000kg
	300kg	1.000kg	5.000kg		
		2.000kg			
A	60	75	120	163	163
B	62	75	100	167	167
C	23	32	40	50	55
D	M12 x1,75	M16 x2	M24 x2	M30 x2	M36 x3
Diameter	65	79	126	168	168
Available versions	Standard	Standard	Standard	Standard	Standard
		C3	C3	C3	C3



Connection Drawing		
1	white	Sense +
2	red	Excitation +
3	yellow	Output +
4	blue	Excitation -
5	black	Sense -
6	green	Output -
#		Shield

Advice for load in tensile direction:
 For load application please pay attention to an installation that is free of lateral forces, if necessary use rotating intermediate parts or joint heads with shackles.
 For safety reasons you should use arresting cables, straps or chains when other mechanical protection is not existing.